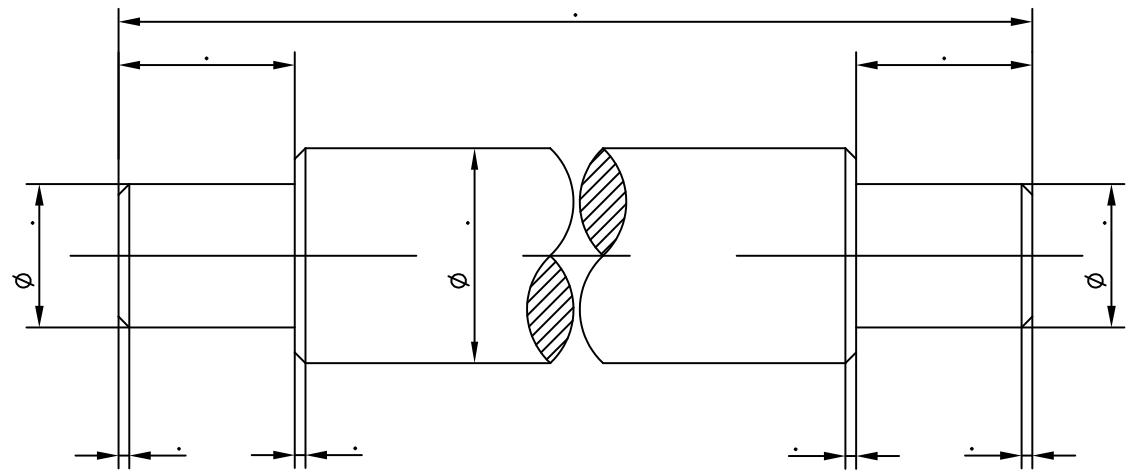


This drawing is protected by copyright law. The owner of the copyright reserves all rights. In accordance with the copyright law, it may only be used for the agreed purpose by the person authorized by or the copyright. Any drawing, copying or any other reproduction without the written consent of the owner is prohibited.


First angle projection
 Projektionsmethode in 1. Quasranten



This drawing is protected by copyright law. The owner of the copyright reserves all rights. In accordance with the copyright law, it may only be used for the agreed purpose by the person authorized by or the copyright. Any drawing, copying or any other reproduction without the written consent of the owner is prohibited.

Tolerancing ISO 8015
 Tolerierung

| | | | | | | | | |
|--|--|--|--|--|--|--|--|--|
| | | | | | | | | |
| | | | | | | | | |
| | | | | | | | | |

| | | | | | | | | |
|--------------------------|----------|---|---|--|---------------------------------|---|--------------|------|
| Rev. | Mod. no. | Modification | - Only to be modified on AutoCAD - | | | Date | Drn. | Chd. |
| | | | | | | | | |
| Drn. | Date | Name | Production Drawing Fertigungszeichnung | | | Schaeffler Sverige AB © S-195 05 Arlandastad | | |
| Chd. | | | Type | | |  | | |
| Size | Scale | Description, Dimens. Benennung, Abmessung | | | Drawing number Zeichnungsnummer | | | |
| A | | BEARBETNING B02 | | | | | | |
| Gen. tol. ISO 2768-mH | | | | | Item. no. | Var. no. | Sheet 01- | |
| | | | | | | | | |
| Mass | | Raw mat./Material/Item no. Halbzeug/Werkstoff/Sach-Nr | | | Supersedes | | | |
| | | | | | Blank number | | | |